

V-Dimmer-4

(DMX Interface 4-Channel Dimming Interface Driver Unit)

FEATURES

- DMX Interface for 4-channel (typical for RGBW LED)
- Constant-voltage 12-24Vdc (for input & output)
- No flickering
- Robust metal casing with powder coating
- Maximum current: 6A (1.5A per channel x 4 channel)
- Address setting with DIP Switches
- Synchronize up to 32 units

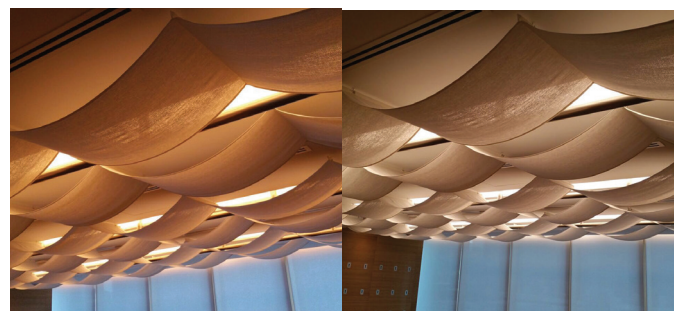
SPECIFICATION

Input Voltage	12Vdc~24Vdc (Input Voltage = Output Voltage)
Input Signal	DMX / or 0-10V
Maximum Load Current	6A (1.5A max per each channel @25°C)
Operating Temperature	0°C~+45°C
Storage Temperature	-20°C~+50°C
Casing Dimension	110mm x 60mm x 18mm (H)
No of Channel	Four (for RGBW LED)
Connection	Phoenix Connectors
Ingress Protection	IP20
Listing	CE Certified
Weight	170 grams

VARIOUS DIMMING (BRIGHTNESS) SETTING UNDER DMX SYSTEM



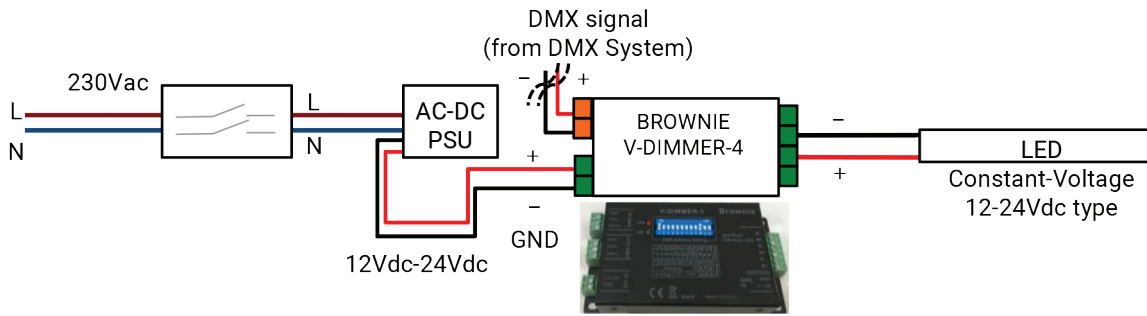
RGB LED Fixture
(making full use of 4-channel output)



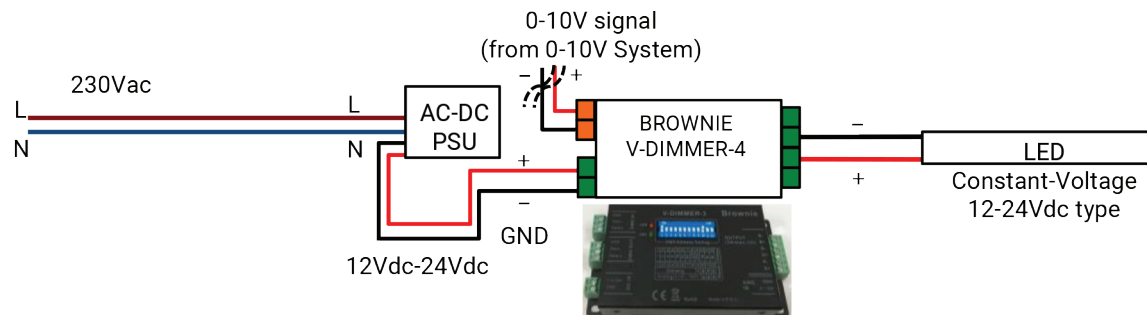
Colour Temperature Tunable LED
(using 2-channel out of 4-channel of the driver)

WIRING DIAGRAM

1 Under DMX System



2 Under 0-10V System



Caution

1. Do not place the V-Dimmer directly on top of AC-DC power supply unit or any other high-temperature equipment.
2. Make sure polarity (+ & -) and input/output wiring is correct before switching on power.
(Continuous switching on with reverse polarity, short-circuit or overcurrent could cause damage on components.)
3. Make sure all the connector terminals are firmly inserted into the body of V-Dimmer.
4. Maximum load must not exceed rated current of 6A.
(As to maximum series connection length of LED, refer to individual spec of LED fixture.)